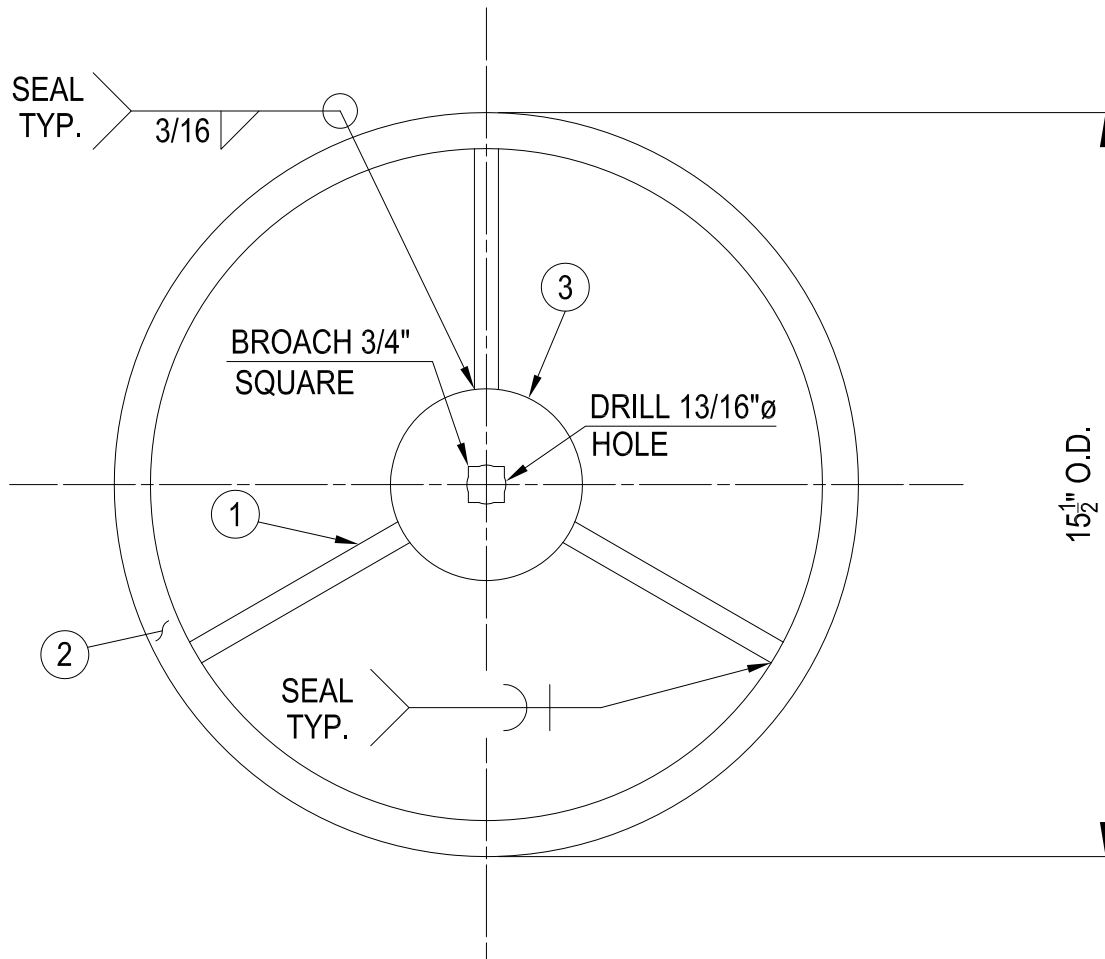


SCHEDULE OF MATERIALS

PC.	MATERIAL	REMARKS
1	(3) 1/2"Ø BAR x 5" LONG	
2	(1) 3/4"Ø BAR x 1'-11 3/16" - (ROLL TO 14-3/4"Ø ON CL)	
3	(1) PL 3/4" x 4"Ø	



*CEN-TEX MARINE FABRICATORS, INC.*

SMITHVILLE, TEXAS

HANDWHEEL (STEEL)  
(15 1/2"Ø O.D.)

DWG. NO.: 11000-A-902

14" HANDWHEEL 8-104