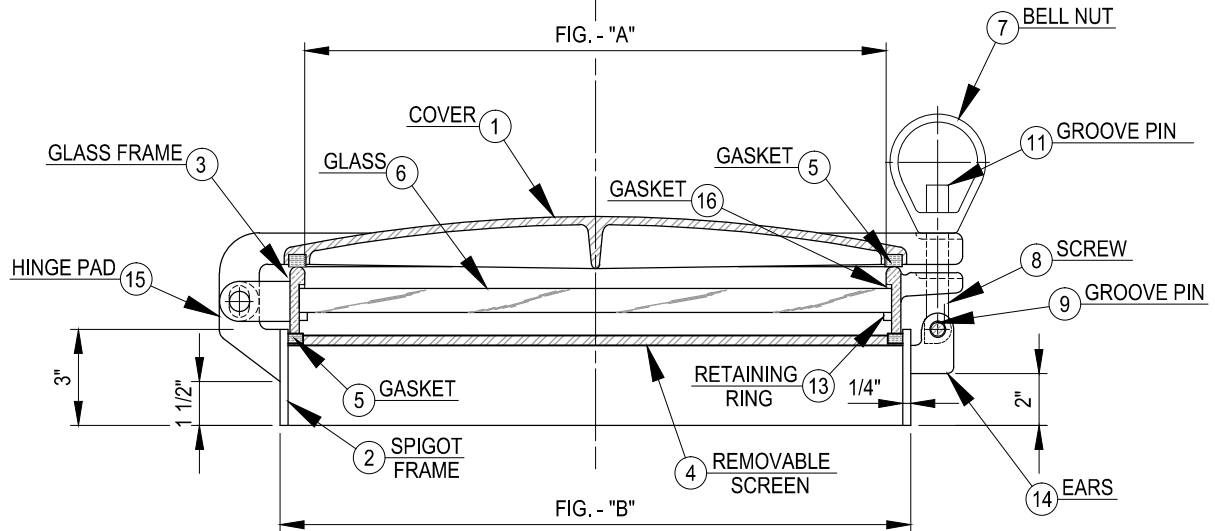


PLAN



SECTION

SCHEDULE OF MATERIALS		
PC.	MATERIAL	REMARKS
1	ALUMINUM	
2	ALUMINUM	
3	ALUMINUM	
4	STAINLESS	
5	NEOPRENE	
6	GLASS	
7	ALUMINUM	
8	ALUMINUM	
9	STAINLESS	
10	STAINLESS	
11	STAINLESS	
12	STAINLESS	
13	ALUMINUM	
14	ALUMINUM	
15	ALUMINUM	
16	NEOPRENE	

DIMENSION SCHEDULE							
SIZE:		8	10	12	14	16	18
DIMS:	A	8	10	12	14	16	18
	B	9-1/2	11-1/2	13-1/2	15-1/2	17-1/2	19-1/2

**CEN-TEX MARINE FABRICATORS, INC.**  
 SMITHVILLE, TEXAS  
 ALUMINUM PORTLIGHT - WELD IN  
 DWG. NO.: 700-A