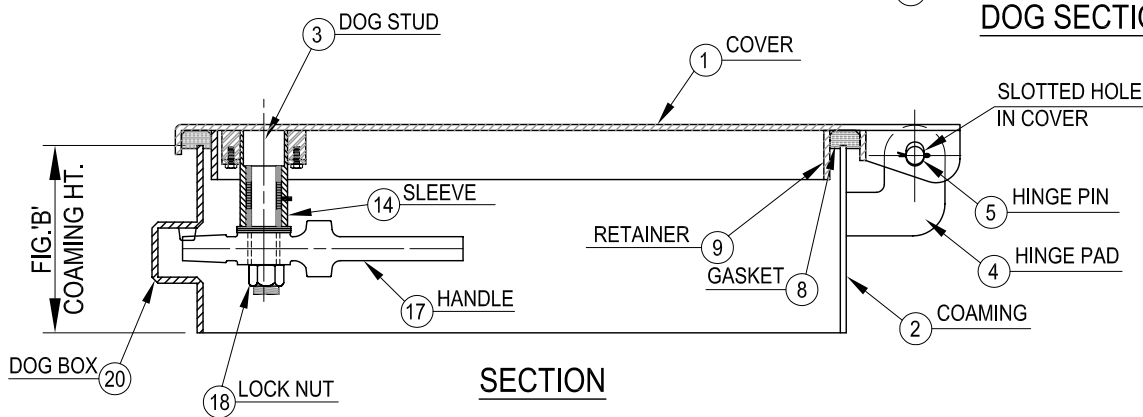
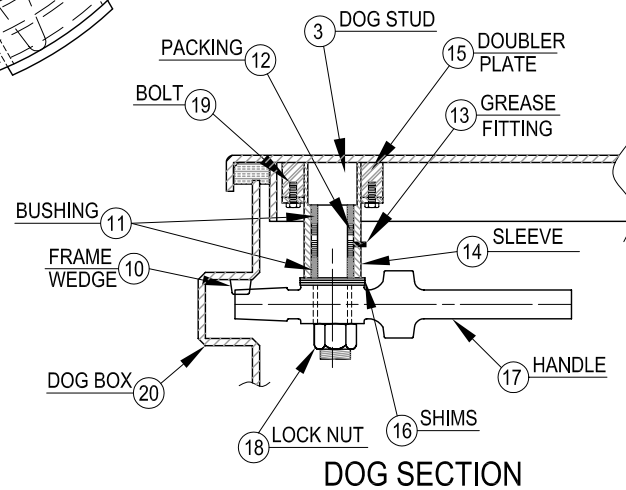
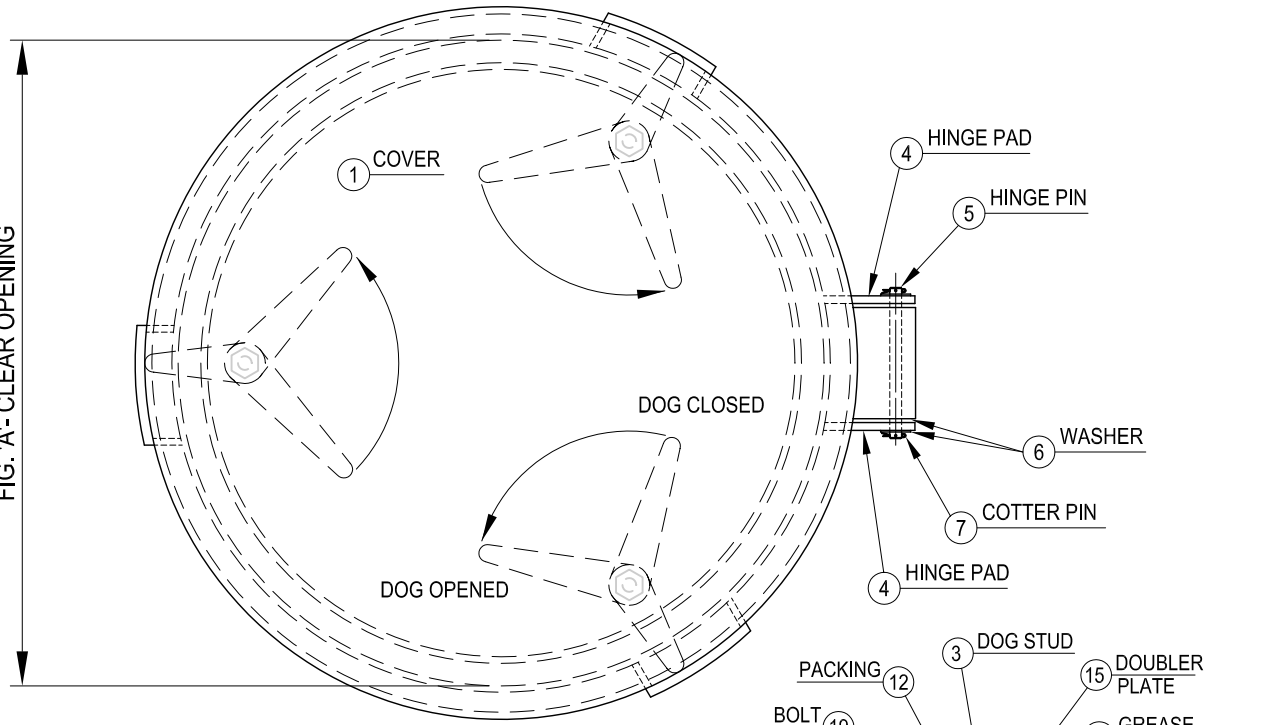


FIG. 'A'- CLEAR OPENING



SCHEDULE OF MATERIALS

| PC. | MATERIAL     | REMARKS |
|-----|--------------|---------|
| 1   | MILD STEEL   |         |
| 2   | MILD STEEL   |         |
| 3   | BRASS        |         |
| 4   | MILD STEEL   |         |
| 5   | COLD FINISH  |         |
| 6   | STAINLESS    |         |
| 7   | STAINLESS    |         |
| 8   | NEOPRENE     |         |
| 9   | MILD STEEL   |         |
| 10  | MILD STEEL   |         |
| 11  | DELRIN       |         |
| 12  | TEFLON       |         |
| 13  | PLATED STEEL |         |
| 14  | MILD STEEL   |         |
| 15  | MILD STEEL   |         |
| 16  | STAINLESS    |         |
| 17  | BRASS        |         |
| 18  | PLATED STEEL |         |
| 19  | PLATED STEEL |         |
| 20  | MILD STEEL   |         |

CEN-TEX MARINE FABRICATORS, INC.

SMITHVILLE, TEXAS

WATERTIGHT SCUTTLE OPERATE BELOW ONLY

DWG. NO.: 406-MS