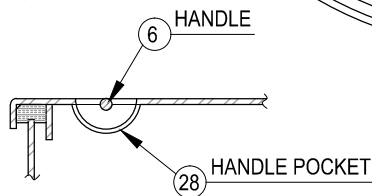


FIG. 'A'- CLEAR OPENING

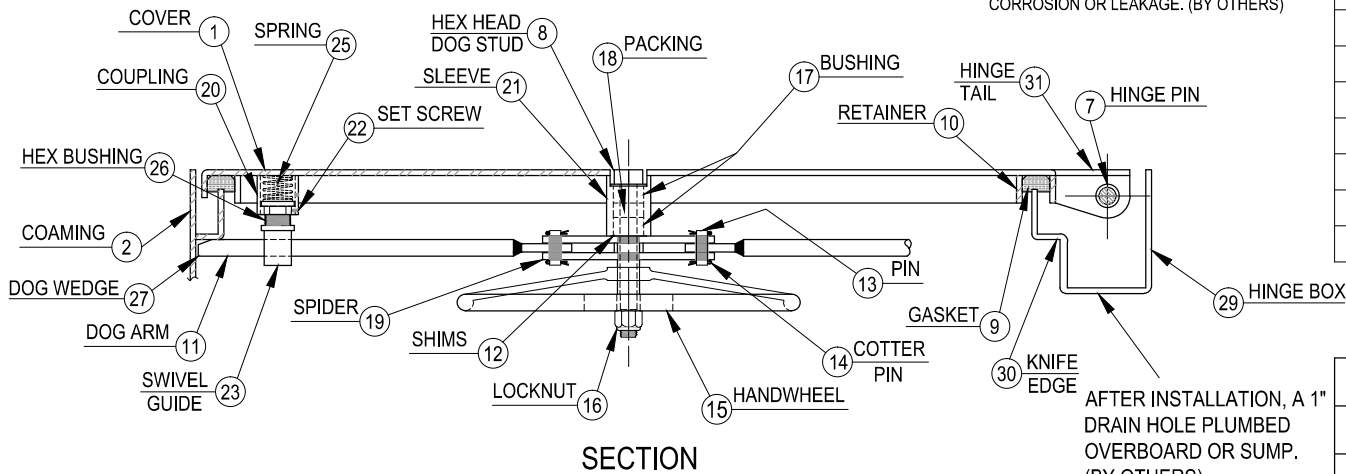


SECTION 'X-X'

PLAN

NOTES:

1. AFTER INTALLATION, A 1" DIAMETER DRAIN HOLE MUST BE INSTALLED AT THE LOW POINT IN THE HINGE BOX AND DRAINED OVERBOARD OR TO A SUMP TO PREVENT CORROSION OR LEAKAGE. (BY OTHERS)



SECTION

AFTER INSTALLATION, A 1" DRAIN HOLE PLUMBED OVERBOARD OR SUMP. (BY OTHERS)

SCHEDULE OF MATERIALS

| PC. | MATERIAL | REMARKS |
|-----|--------------|------------|
| 1 | MILD STEEL | |
| 2 | MILD STEEL | |
| 3 | MILD STEEL | |
| 4 | MILD STEEL | |
| 5 | STAINLESS | |
| 6 | MILD STEEL | |
| 7 | COLD FINISH | |
| 8 | BRASS | |
| 9 | NEOPRENE | |
| 10 | MILD STEEL | |
| 11 | COLD FINISH | |
| 12 | STAINLESS | |
| 13 | BRASS | |
| 14 | STAINLESS | |
| 15 | MILD STEEL | |
| 16 | STAINLESS | |
| 17 | DELTRIN | |
| 18 | TEFLON | |
| 19 | MILD STEEL | |
| 20 | MILD STEEL | |
| 21 | MILD STEEL | |
| 22 | PLATED STEEL | |
| 23 | BRASS | |
| 24 | MILD STEEL | |
| 25 | PLATED STEEL | |
| 26 | BRASS | |
| 27 | STAINLESS | |
| 28 | MILD STEEL | |
| 29 | MILD STEEL | |
| 30 | MILD STEEL | |
| 31 | MILD STEEL | |
| 32 | STAINLESS | 316L ALLOY |

CEN-TEX MARINE FABRICATORS, INC.

SMITHVILLE, TEXAS

FLUSH QUICK ACTING WATERTIGHT ROUND SCUTTLE

DWG. NO.: 401-MS