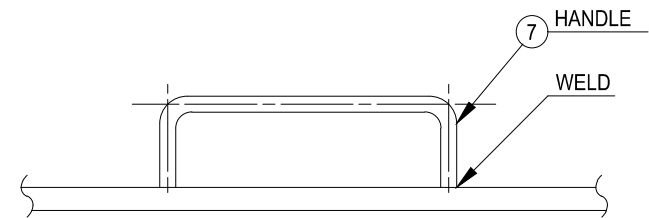
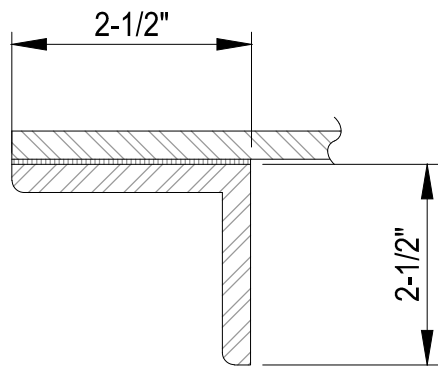


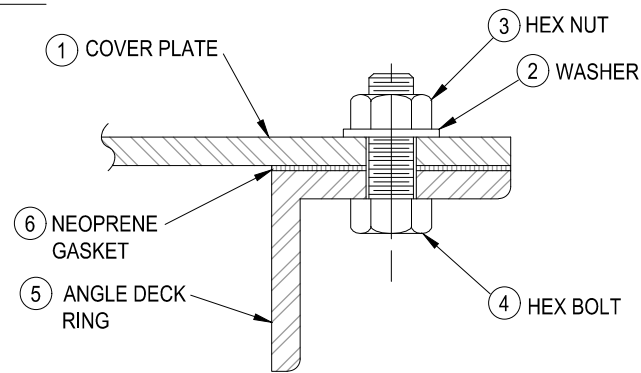
| SCHEDULE OF MATERIALS | | |
|-----------------------|--------------|---------|
| PC. | MATERIAL | REMARKS |
| 1 | STEEL | |
| 2 | STEEL PLATED | |
| 3 | STEEL PLATED | |
| 4 | STEEL PLATED | |
| 5 | STEEL | |
| 6 | NEOPRENE | |
| 7 | STEEL | |



PLAN



SECTION B-B



SECTION A-A

DETAIL OF HANDLE

CEN-TEX MARINE FABRICATORS, INC.

SMITHVILLE, TEXAS

SQUARE RAISED BOLTED PLATE MANHOLE

DWG. NO.: 313-MS