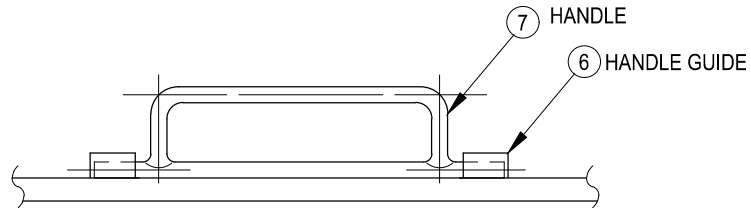
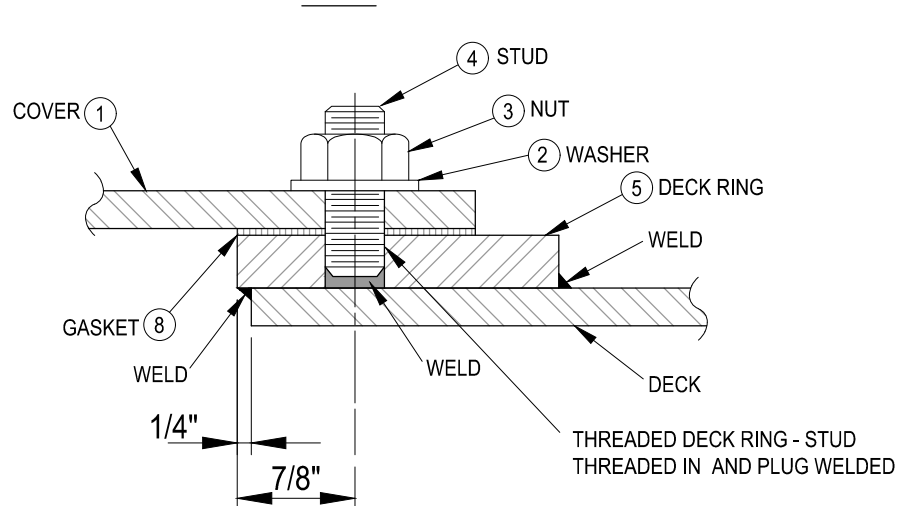


PLAN



HANDLE DETAIL

SCHEDULE OF MATERIALS		
PC.	MATERIAL	REMARKS
1	STEEL	
2	PLATED	
3	PLATED	
4	STEEL	
5	STEEL	
6	STEEL	
7	STEEL	
8	NEOPRENE	

DIMENSION SCHEDULE				
CLEAR OPENING	A	B	C	D
18"	18"	19-3/4"	22"	24"
20"	20"	21-3/4"	24"	26"
22"	22"	23-3/4"	26"	28"
24"	24"	25-3/4"	28"	30"
26"	26"	27-3/4"	30"	32"

**CEN-TEX MARINE FABRICATORS, INC.**  
 SMITHVILLE, TEXAS  
 BOLTED PLATE MANHOLE w/STUDS  
 DWG. NO.: 312-MS