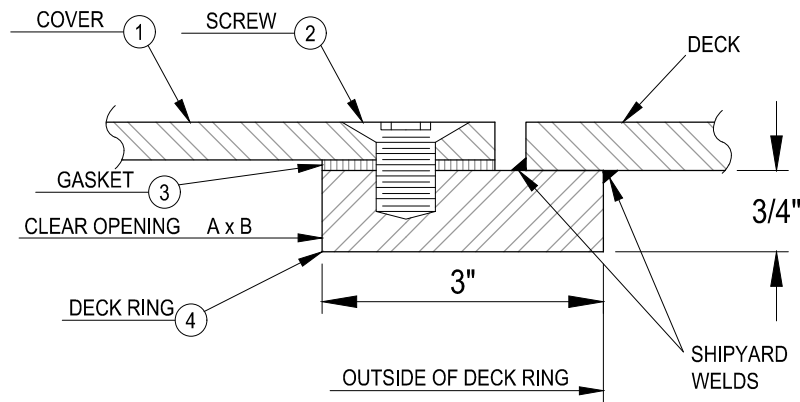


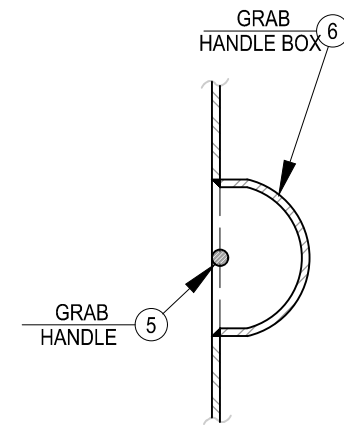
PLAN



SECTION A-A

SCHEDULE OF MATERIALS

PC.	MATERIAL	REMARKS
1	STEEL	
2	STAINLESS	
3	NEOPRENE	
4	STEEL	
5	STEEL	
6	STEEL	



SECTION 'B-B'

CEN-TEX MARINE FABRICATORS, INC.

SMITHVILLE, TEXAS

FLUSH BOLTED PLATE MANHOLE

w/FLUSH GRAB HANDLE

DWG. NO.: 311-MS

#/O/S