

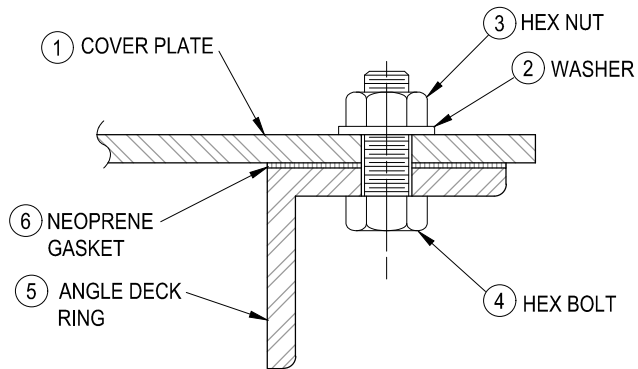
PLAN

SCHEDULE OF MATERIALS

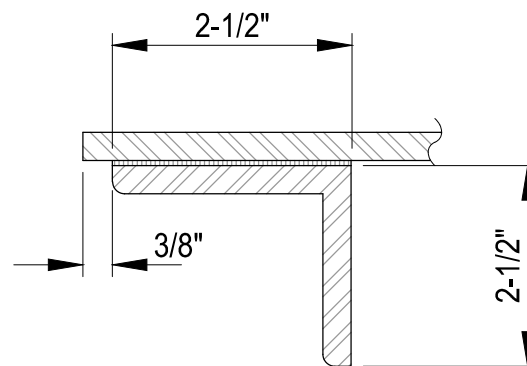
PC.	MATERIAL	REMARKS
1	STEEL	
2	STEEL PLATED	
3	STEEL PLATED	
4	STEEL PLATED	
5	STEEL	
6	NEOPRENE	

DIMENSION SCHEDULE

CLEAR OPENING	A	B	C	D	BOLT SPACING	NO. BOLTS
15"	15"	17-1/2"	20"	20-3/4"	3-7/16"	16
18"	18"	20-1/2"	23"	23-3/4"	3-9/16"	18
20"	20"	22-1/2"	25"	25-3/4"	3-1/2"	20
22"	22"	24-1/2"	27"	27-3/4"	3-1/2"	22
24"	24"	26-1/2"	29"	29-3/4"	3-1/4"	26



SECTION A-A



SECTION B-B

CEN-TEX MARINE FABRICATORS, INC.

SMITHVILLE, TEXAS

ROUND RAISED BOLTED MANHOLE

DWG. NO.: 308-MS