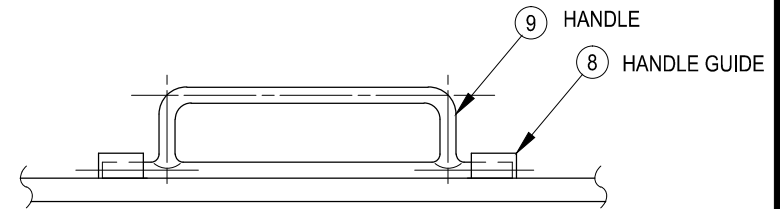
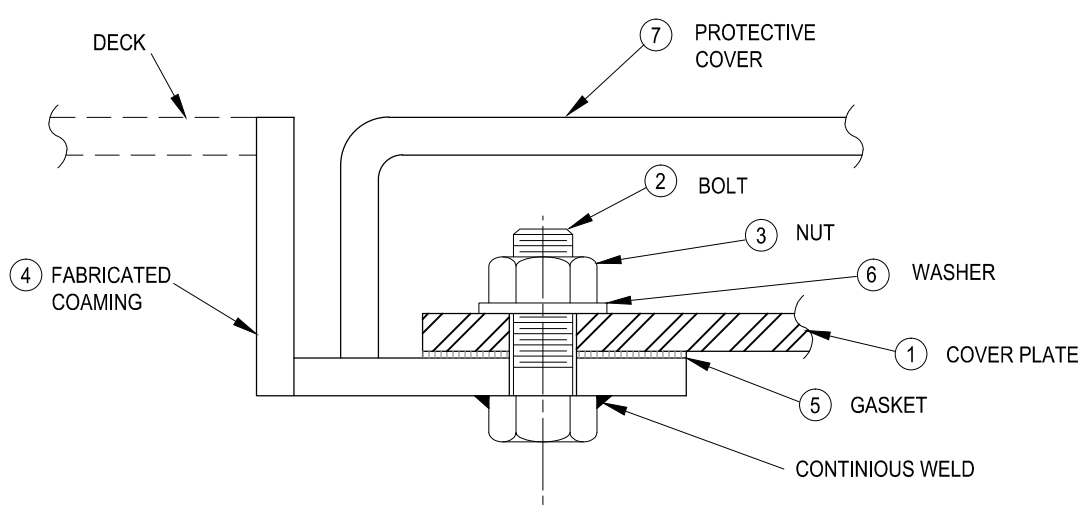


SCHEDULE OF MATERIALS		
PC.	MATERIAL	REMARKS
1	MILD STEEL	
2	MILD STEEL	
3	PLATED STEEL	
4	MILD STEEL	
5	NEOPRENE	
6	PLATED	
7	MILD STEEL	
8	MILD STEEL	
9	MILD STEEL	



*CEN-TEX MARINE FABRICATORS, INC.*

SMITHVILLE, TEXAS

COVERED BOLTED PLATE MANHOLE

DWG. NO.: 304-MS