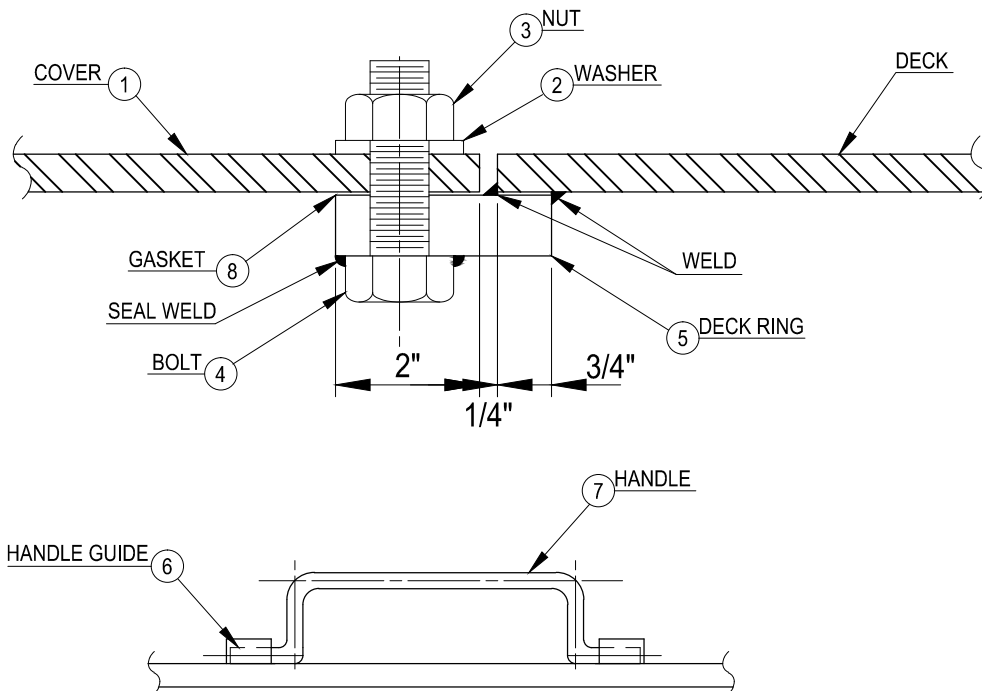


### SCHEDULE OF MATERIALS

| PC. | MATERIAL     | REMARKS |
|-----|--------------|---------|
| 1   | STEEL        |         |
| 2   | PLATED STEEL |         |
| 3   | PLATED STEEL |         |
| 4   | STEEL        |         |
| 5   | STEEL        |         |
| 6   | STEEL        |         |
| 7   | STEEL        |         |
| 8   | NEOPRENE     |         |

### DIMENSION SCHEDULE

| CLEAR OPENING | A   | B       | C   | D   | E   | F       | G   | H   | I  |
|---------------|-----|---------|-----|-----|-----|---------|-----|-----|----|
| 15" X 23"     | 23" | 24-3/4" | 27" | 29" | 15" | 16-3/4" | 19" | 21" | 8" |
| 18" X 24"     | 24" | 25-3/4" | 28" | 30" | 18" | 19-3/4" | 22" | 24" | 6" |



*CEN-TEX MARINE FABRICATORS, INC.*

SMITHVILLE, TEXAS

WATERTIGHT MULTIBOLT MANHOLE

DWG. NO.: 300-MS