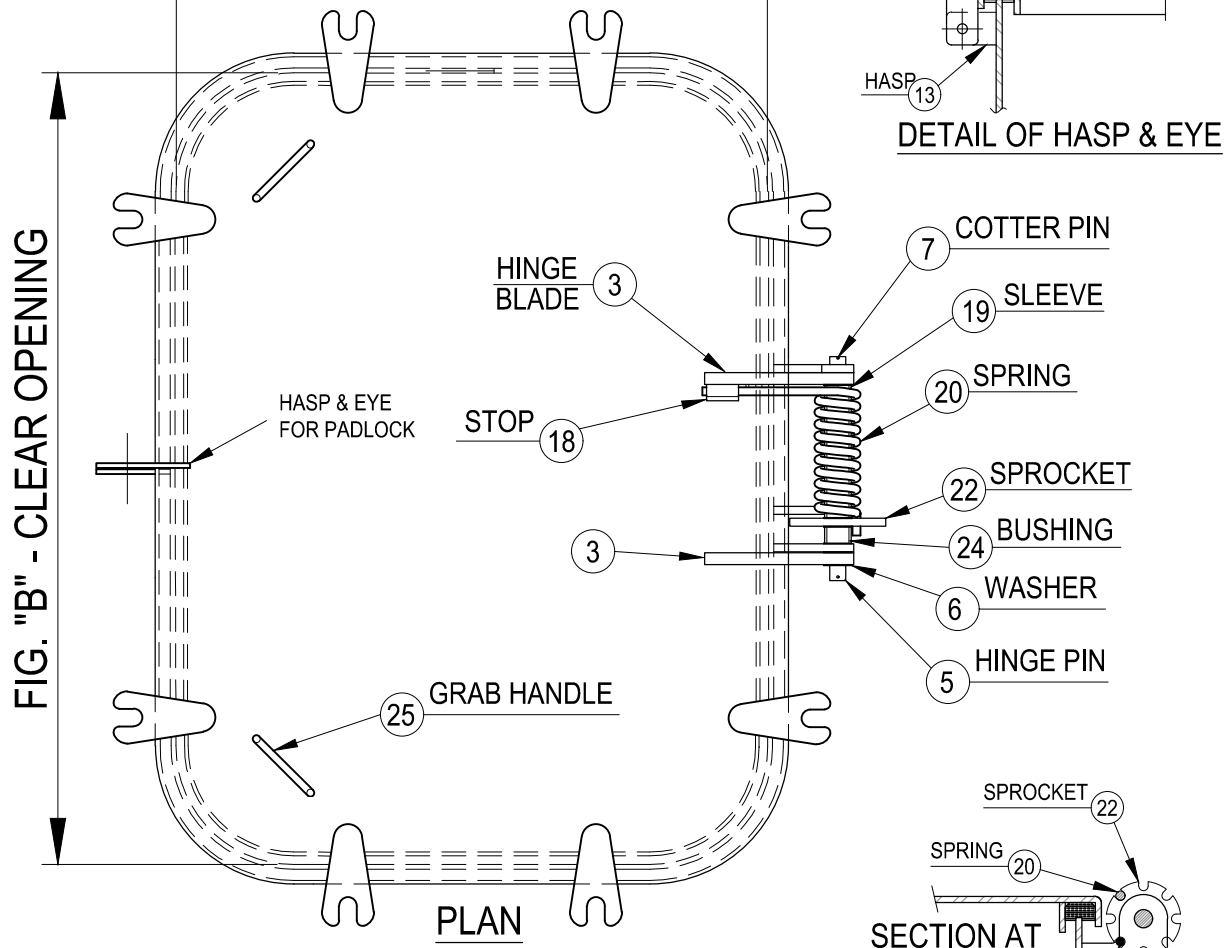
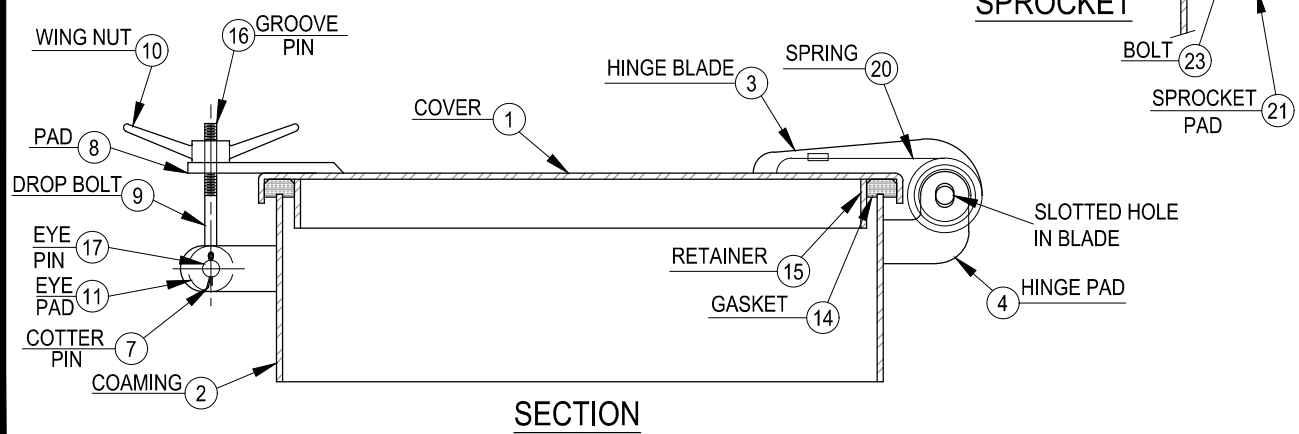


FIG. "A" - CLEAR OPENING



DETAIL OF HASP & EYE

FIG. "B" - CLEAR OPENING



SECTION AT SPROCKET

SECTION

SCHEDULE OF MATERIALS

PC.	MATERIAL	REMARKS
1	MILD STEEL	
2	MILD STEEL	
3	MILD STEEL	
4	MILD STEEL	
5	STEEL	
6	STAINLESS	
7	STAINLESS	
8	STEEL	
9	MANGANESE BRZ	
10	MANGANESE BRZ	
11	MILD STEEL	
12	MILD STEEL	
13	MILD STEEL	
14	NEOPRENE	
15	MILD STEEL	
16	STAINLESS	
17	BRASS	
18	STEEL	
19	STEEL	
20	STAINLESS	
21	STEEL	
22	STEEL	
23	PLATED STEEL	
24	BRASS	
25	MILD STEEL	

CEN-TEX MARINE FABRICATORS, INC.

SMITHVILLE, TEXAS

RAISED WATERTIGHT WITH DROP BOLTS  
AND SPRING ASSIST HATCH

DWG. NO.: 207-MS