

FIG. "B" INSIDE COAMING

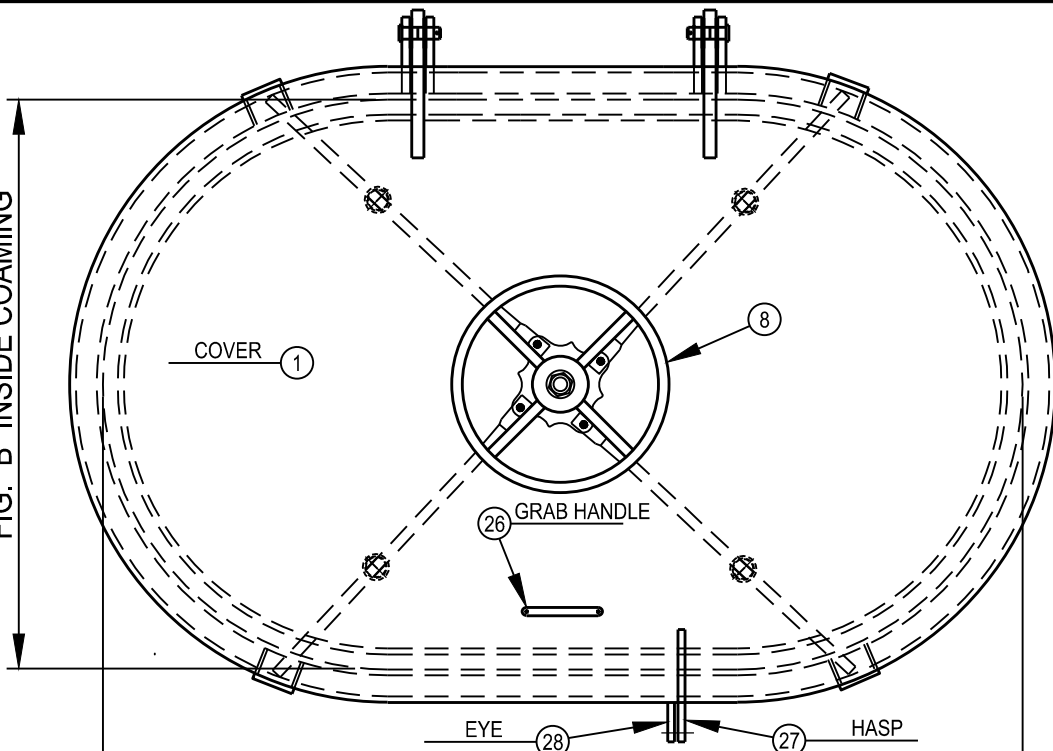
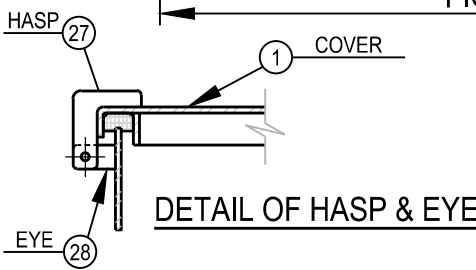
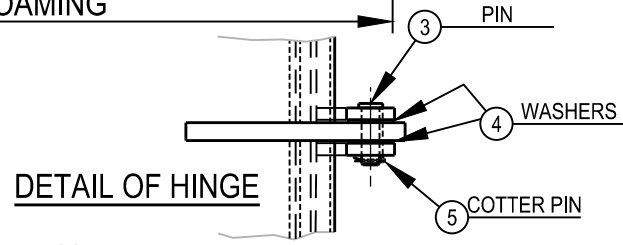


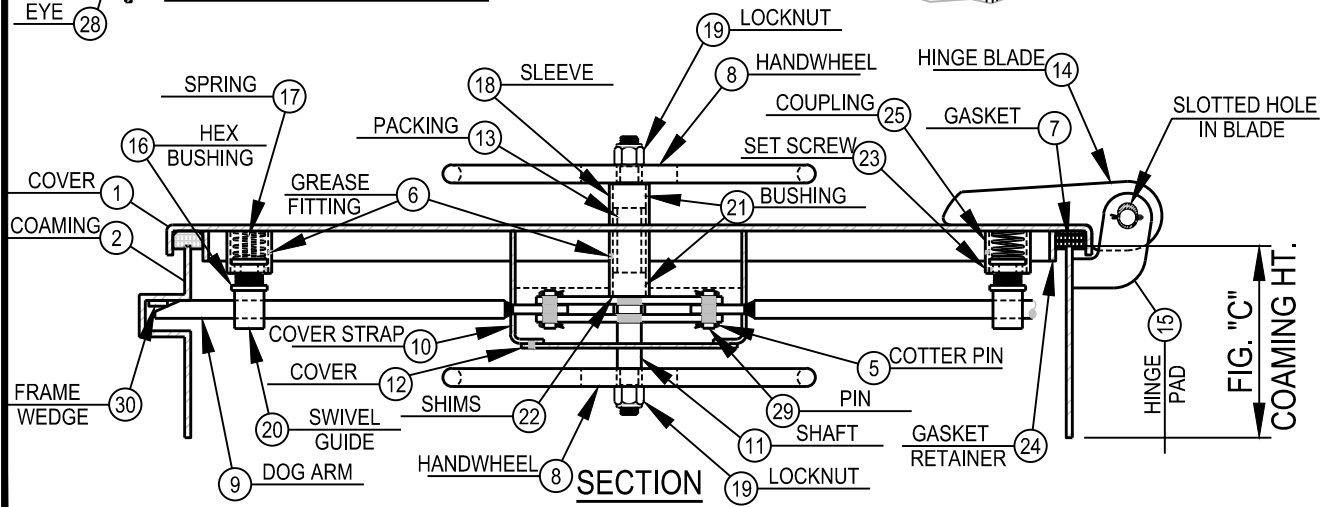
FIG. "A" INSIDE COAMING PLAN



DETAIL OF HASP & EYE



DETAIL OF HINGE



SECTION

FIG. "C" COAMING HT.

SCHEDULE OF MATERIALS		
PC.	MATERIAL	REMARKS
1	MILD STEEL	
2	MILD STEEL	
3	BRASS	
4	STAINLESS	
5	STAINLESS	
6	PLTD. STEEL	
7	NEOPRENE	
8	MILD STEEL	
9	MILD STEEL	
10	MILD STEEL	
11	COLD FINISH	
12	MILD STEEL	
13	TEFLON	
14	MILD STEEL	
15	MILD STEEL	
16	BRASS	
17	PLTD. STEEL	
18	MILD STEEL	
19	PLTD. STEEL	
20	BRASS	
21	DELIN	
22	STAINLESS	
23	PLTD. STEEL	
24	MILD STEEL	
25	MILD STEEL	
26	MILD STEEL	
27	MILD STEEL	
28	MILD STEEL	
29	BRASS	
30	MILD STEEL	

CEN-TEX MARINE FABRICATORS, INC.
 SMITHVILLE, TEXAS
 QUICK ACTING WATERTIGHT HATCH
 DWG. NO.: 203-MS