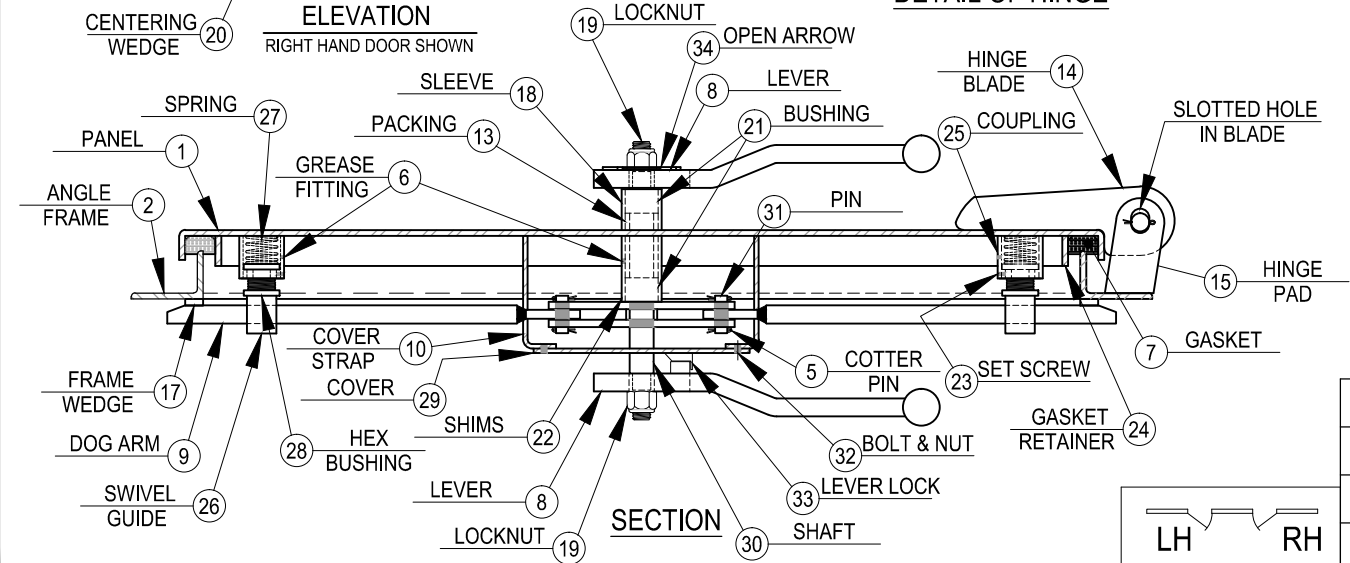
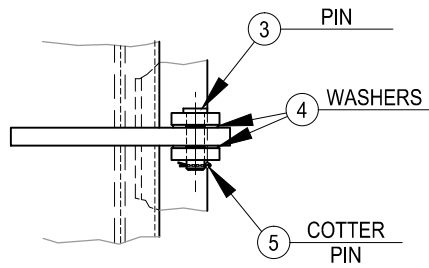
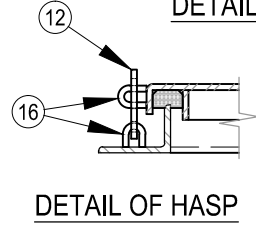
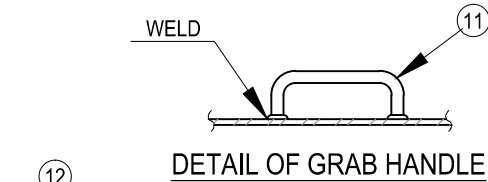


SCHEDULE OF MATERIALS		
PC.	MATERIAL	REMARKS
30	COLD FINISH	
31	BRASS	
32	PLATED STEEL	
33	STAINLESS	
34	STAINLESS	

SCHEDULE OF MATERIALS		
PC.	MATERIAL	REMARKS
1	MILD STEEL	
2	MILD STEEL	
3	BRASS	
4	TEFLON	
5	STAINLESS	
6	PLATED STEEL	
7	NEOPRENE	
8	COLD FINISH	
9	COLD FINISH	
10	MILD STEEL	
11	MILD STEEL	
12	MILD STEEL	
13	TEFLON	
14	MILD STEEL	
15	MILD STEEL	
16	MILD STEEL	
17	STAINLESS	304 GRADE
18	MILD STEEL	
19	PLATED STEEL	
20	MILD STEEL	
21	DELTRIN	
22	STAINLESS	
23	PLATED STEEL	
24	MILD STEEL	
25	MILD STEEL	
26	BRASS	
27	SPRING STEEL	
28	BRASS	
29	MILD STEEL	



CEN-TEX MARINE FABRICATORS, INC.
 SMITHVILLE, TEXAS
 QUICK ACTING WATERTIGHT DOOR
 DWG. NO.: 110-MS

